

ANTONG FITTINGS & FLANGES

Http://antongcorp.com

ANSI ASME LONG WELDING NECK Flanges

*Dimensions, Sizes and Specification of LONG WELDING NECK Flanges
Class 150 Class 300 Class 400 Class 600 Class 900 Class 1500 Class 2500*



ANTONG FITTINGS & FLANGES

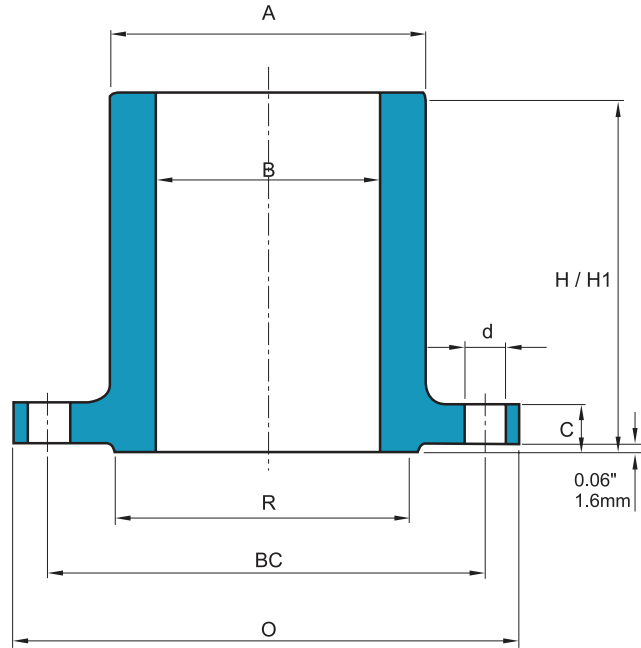
Http://antongcorp.com

Mail:sales@antongcorp.com

Tel: 008631180763668

ANSI ASME

LONG WELD NECK Class150



CLASS150

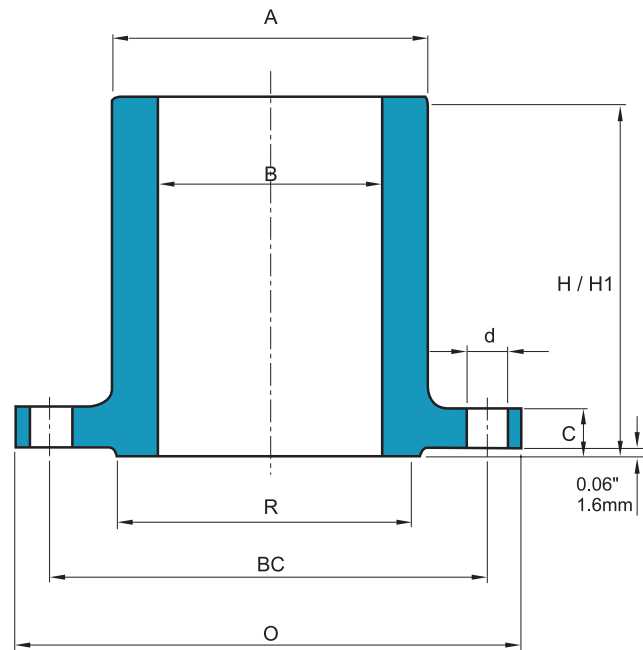
NOTE : H / H1 = BUYER OPTION.

Unit : mm

Nominal Pipe Size	Outside Diameter	Thickness of Flange Min.	O.D. of Raised Face	Hub Diameter at Bevel	Diameter of Bore	Length Through Hub		Drilling		
								Diameter of Bolt Circle	Number of Holes	Diameter of Holes
	O	C	R	A	B	H	H1	BC		d
1/2	89.0	11.1	34.9	30.2	12.7	228.6	304.8	60.5	4	15.8
3/4	98.5	12.7	42.9	38.1	19.1	228.6	304.8	69.9	4	15.8
1	108.0	14.3	50.8	50.8	25.4	228.6	304.8	79.4	4	15.8
1 1/4	117.5	15.9	63.5	60.3	31.8	228.6	304.8	88.9	4	15.8
1 1/2	127.0	17.5	73.0	66.7	38.1	228.6	304.8	98.4	4	15.8
2	152.5	19.1	92.1	82.5	50.8	228.6	304.8	120.7	4	19.0
2 1/2	178.0	22.2	104.8	95.2	63.5	228.6	304.8	139.7	4	19.0
3	190.5	23.8	127.0	107.9	76.2	228.6	304.8	152.4	4	19.0
3 1/2	216.0	23.8	139.9	124.0	88.9	228.6	304.8	177.8	8	19.0
4	228.5	23.8	157.2	139.7	101.6	228.6	304.8	190.5	8	19.0
5	254.0	23.8	185.7	165.1	127.0	228.6	304.8	215.9	8	22.5
6	279.5	25.4	215.9	196.8	152.4	228.6	304.8	241.3	8	22.5
8	343.0	28.6	269.9	247.6	203.2	228.6	304.8	298.4	8	22.5
10	406.5	30.2	323.9	304.8	254.0	228.6	304.8	361.9	12	25.5
12	482.5	31.8	381.0	365.1	304.8	228.6	304.8	431.8	12	25.5
14	533.5	34.9	412.8	406.4	355.6	228.6	304.8	476.2	12	28.5
16	597.0	36.5	469.9	457.2	406.4	228.6	304.8	539.7	16	28.5
18	635.0	39.7	533.4	508.0	457.2	228.6	304.8	577.8	16	31.8
20	698.5	42.9	584.2	558.8	508.0	228.6	304.8	635.0	20	31.8
24	813.0	47.0	692.2	666.7	609.6	228.6	304.8	749.3	20	35.1

ANSI ASME

LONG WELD NECK Class300



CLASS300

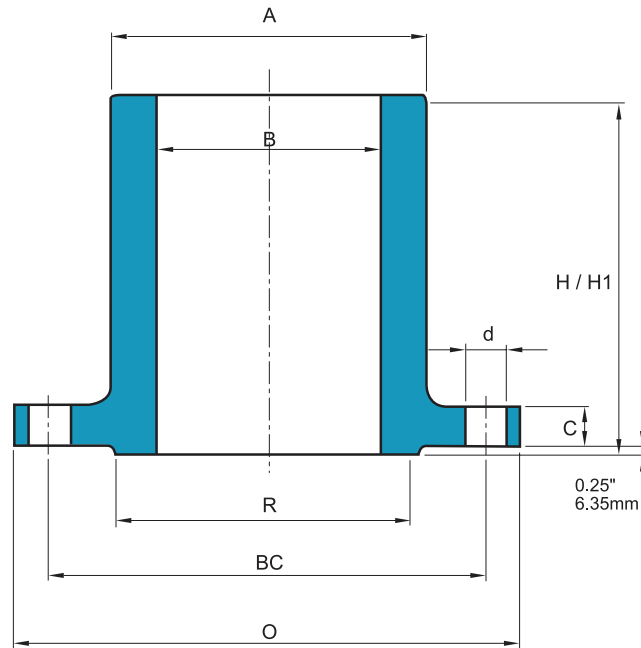
NOTE : H / H1 = BUYER OPTION.

Unit : mm

Nominal Pipe Size	Outside Diameter	Thickness of Flange Min.	O.D. of Raised Face	Hub Diameter at Bevel	Diameter of Bore	Length Through Hub		Drilling		
								Diameter of Bolt Circle	Number of Holes	Diameter of Holes
	O	C	R	A	B	H	H1	BC		d
1/2	95.5	14.3	34.9	38.1	12.7	228.6	304.8	66.7	4	15.8
3/4	117.5	15.9	42.9	47.6	19.1	228.6	304.8	82.5	4	19.0
1	124.0	17.5	50.8	54.0	25.4	228.6	304.8	88.9	4	19.0
1 1/4	133.5	19.1	63.5	63.5	31.8	228.6	304.8	98.4	4	19.0
1 1/2	155.5	20.6	73.0	69.8	38.1	228.6	304.8	114.3	4	22.5
2	165.0	22.2	92.1	82.5	50.8	228.6	304.8	127.0	8	19.0
2 1/2	190.5	25.4	104.8	100.0	63.5	228.6	304.8	149.2	8	22.5
3	209.5	28.6	127.0	117.5	76.2	228.6	304.8	168.3	8	22.5
3 1/2	228.5	30.2	139.7	133.4	88.9	228.6	304.8	184.1	8	22.5
4	254.0	31.8	157.2	146.0	101.6	228.6	304.8	200.0	8	22.5
5	279.5	34.9	185.7	177.8	127.0	228.6	304.8	234.9	8	22.5
6	317.5	36.5	215.9	206.4	152.4	228.6	304.8	269.9	12	22.5
8	381.0	41.3	269.9	260.3	203.2	228.6	304.8	330.2	12	25.5
10	444.5	47.6	323.9	320.7	254.0	228.6	304.8	387.3	16	28.5
12	520.5	50.8	381.0	374.6	304.8	228.6	304.8	450.8	16	31.8
14	584.0	54.0	412.8	425.4	355.6	228.6	304.8	514.3	20	31.8
16	647.5	57.2	469.9	482.6	406.4	228.6	304.8	571.5	20	35.1
18	711.0	60.3	533.4	533.4	457.2	228.6	304.8	628.6	24	35.1
20	774.5	63.5	584.2	587.3	508.0	228.6	304.8	685.8	24	35.1
24	914.5	69.9	692.2	701.6	609.6	228.6	304.8	812.8	24	41.2

ANSI ASME

LONG WELD NECK Class 400



CLASS400

NOTE : H / H1 = BUYER OPTION.

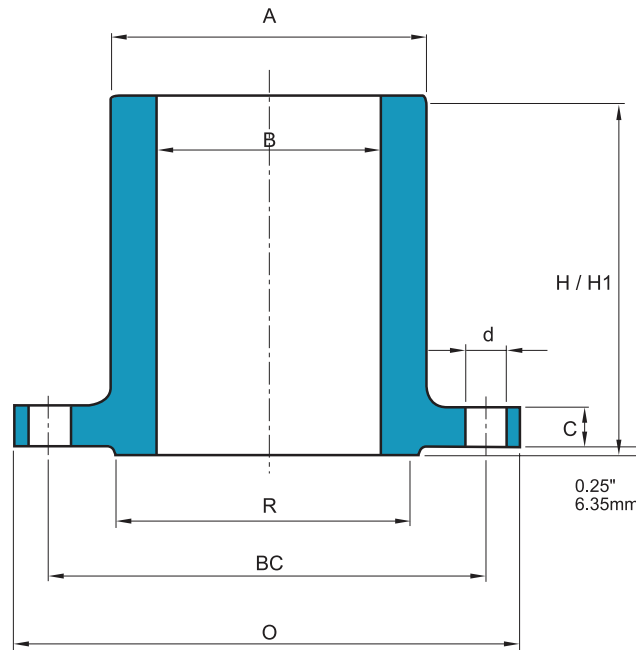
Unit : mm

Nominal Pipe Size	Outside Diameter	Thickness of Flange Min.	O.D. of Raised Face	Hub Diameter at Bevel	Diameter of Bore	Length Through Hub		Drilling		
								Diameter of Bolt Circle	Number of Holes	Diameter of Holes
	O	C	R	A	B	H	H1	BC		d
1										
1 1/4										
1 1/2										
2										
2 1/2										
3										
3 1/2										
4	254.0	34.9	157.2	146.0	101.6	228.6	304.8	200.0	8	25.5
5	279.5	38.1	185.7	177.8	127.0	228.6	304.8	234.9	8	25.5
6	317.5	41.3	215.9	206.4	152.4	228.6	304.8	269.9	12	25.5
8	381.0	47.6	269.9	260.3	203.2	228.6	304.8	330.2	12	28.5
10	444.5	54.0	323.9	320.7	254.0	228.6	304.8	387.3	16	31.8
12	520.5	57.2	381.0	374.6	304.8	228.6	304.8	450.8	16	35.1
14	584.0	60.3	412.8	425.4	355.6	228.6	304.8	514.3	20	35.1
16	647.5	63.5	469.9	482.6	406.4	228.6	304.8	571.5	20	38.1
18	711.0	66.7	533.4	533.4	457.2	228.6	304.8	628.6	24	38.1
20	774.5	69.9	584.2	587.3	508.0	228.6	304.8	685.8	24	41.2
24	914.5	76.2	692.2	701.6	609.6	228.6	304.8	812.8	24	47.8

Use Class 600 Dimensions in These Sizes

ANSI ASME

LONG WELD NECK Class 600



CLASS600

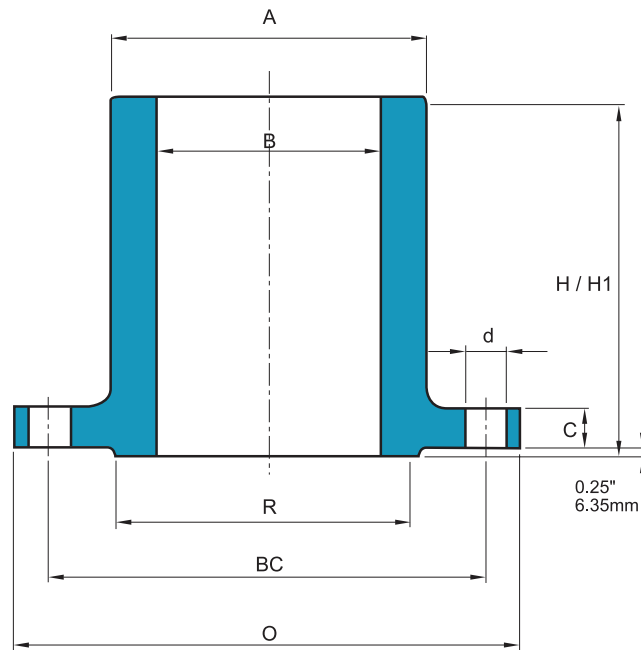
NOTE : H / H1 = BUYER OPTION.

Unit : mm

Nominal Pipe Size	Outside Diameter	Thickness of Flange Min.	O.D. of Raised Face	Hub Diameter at Bevel	Diameter of Bore	Length Through Hub		Drilling		
								Diameter of Bolt Circle	Number of Holes	Diameter of Holes
	O	C	R	A	B	H	H1	BC		d
1	124.0	17.5	50.8	54.0	25.4	228.6	304.8	88.9	4	19.0
1 1/4	133.5	20.6	63.5	63.5	31.8	228.6	304.8	98.4	4	19.0
1 1/2	155.5	22.2	73.0	69.8	38.1	228.6	304.8	114.3	4	22.5
2	165.0	25.4	92.1	82.5	50.8	228.6	304.8	127.0	8	19.0
2 1/2	190.5	28.6	104.8	100.0	63.5	228.6	304.8	149.2	8	22.5
3	209.5	31.8	127.0	117.5	76.2	228.6	304.8	168.1	8	22.5
3 1/2	228.5	34.9	139.7	133.4	88.9	228.6	304.8	184.2	8	25.5
4	273.0	38.1	157.2	152.4	101.6	228.6	304.8	215.9	8	25.5
5	330.0	44.5	185.7	190.5	127.0	228.6	304.8	266.7	8	28.5
6	355.5	47.6	215.9	222.2	152.4	228.6	304.8	292.1	12	28.5
8	419.0	55.6	269.9	273.0	203.2	228.6	304.8	349.3	12	31.8
10	508.0	63.5	323.9	342.9	254.0	228.6	304.8	431.8	16	35.1
12	559.0	66.7	381.0	400.0	304.8	228.6	304.8	489.0	20	35.1
14	603.5	69.9	412.8	431.8	355.6	228.6	304.8	527.1	20	38.1
16	686.0	76.2	469.9	495.3	406.4	228.6	304.8	603.3	20	41.2
18	743.0	82.6	533.4	546.1	457.2	228.6	304.8	654.1	20	44.5
20	813.0	88.9	584.2	609.6	508.0	228.6	304.8	723.9	24	44.5
24	940.0	101.6	692.2	717.5	609.6	228.6	304.8	838.2	24	50.8

ANSI ASME

LONG WELD NECK Class 900



CLASS900

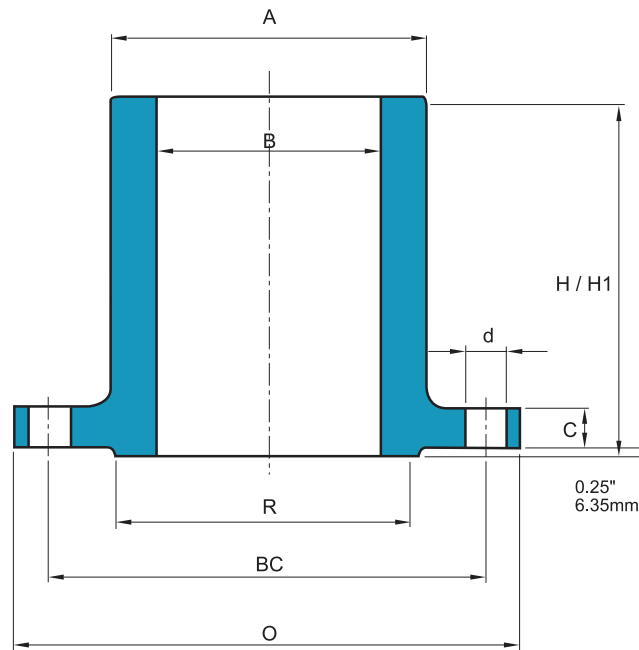
NOTE : H / H1 = BUYER OPTION.

Unit : mm

Nominal Pipe Size	Outside Diameter	Thickness of Flange Min.	O.D. of Raised Face	Hub Diameter at Bevel	Diameter of Bore	Length Through Hub		Drilling		
								Diameter of Bolt Circle	Number of Holes	Diameter of Holes
	O	C	R	A	B	H	H1	BC		d
1	149.5	28.6	50.8	52.4	25.4	228.6	304.8	101.6	4	25.5
1 1/4	159.0	28.6	63.5	63.5	31.8	228.6	304.8	111.1	4	25.5
1 1/2	178.0	31.8	73.0	69.9	38.1	228.6	304.8	123.8	4	28.5
2	216.0	38.1	92.1	104.8	50.8	228.6	304.8	165.1	8	25.5
2 1/2	244.5	41.3	104.8	123.8	63.5	228.6	304.8	190.5	8	28.5
3	241.5	38.1	127.0	127.0	76.2	228.6	304.8	190.5	8	25.5
4	292.0	44.5	157.2	158.7	101.6	228.6	304.8	235.0	8	31.8
5	349.5	50.8	185.7	190.5	127.0	228.6	304.8	279.4	8	35.1
6	381.0	55.6	215.9	235.0	152.4	228.6	304.8	317.5	12	31.8
8	470.0	63.5	269.9	298.5	203.2	228.6	304.8	393.7	12	38.1
10	546.0	69.9	323.9	368.3	254.0	228.6	304.8	469.9	16	38.1
12	609.5	79.4	381.0	419.1	304.8	228.6	304.8	533.4	20	38.1
14	641.5	85.7	412.8	450.9	355.6	228.6	304.8	558.8	20	41.0
16	705.0	88.9	469.9	508.0	406.4	228.6	304.8	616.0	20	44.5
18	787.5	101.6	533.4	565.2	457.2	228.6	304.8	685.8	20	50.8
20	857.5	108.0	584.2	622.3	508.0	228.6	304.8	749.3	20	54.0
24	1014.5	139.7	692.2	749.3	609.6	228.6	304.8	901.7	20	66.5

ANSI ASME

LONG WELD NECK Class 1500



CLASS1500

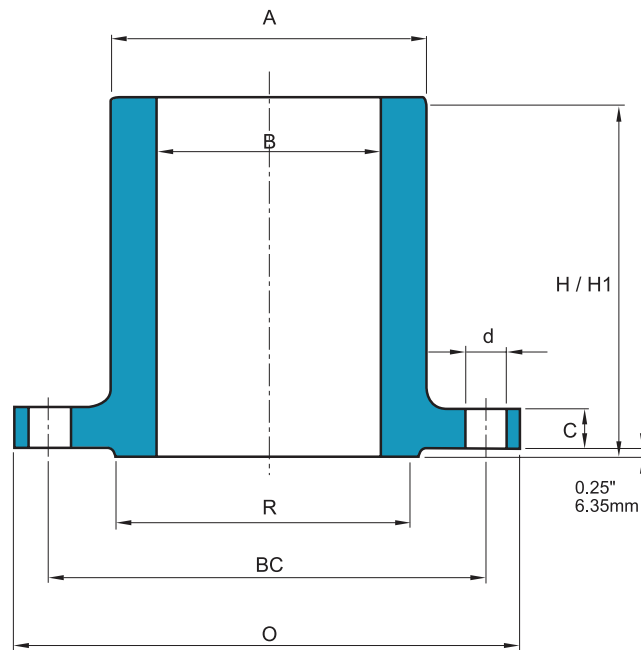
NOTE : H / H1 = BUYER OPTION.

Unit : mm

Nominal Pipe Size	Outside Diameter	Thickness of Flange Min.	O.D. of Raised Face	Hub Diameter at Bevel	Diameter of Bore	Length Through Hub		Drilling		
								Diameter of Bolt Circle	Number of Holes	Diameter of Holes
	O	C	R	A	B	H	H1	BC		d
1	149.5	28.6	50.8	52.4	25.4	228.6	304.8	101.6	4	25.5
1 1/4	159.0	28.6	63.5	63.5	31.8	228.6	304.8	111.1	4	25.5
1 1/2	178.0	31.8	73.0	69.9	38.1	228.6	304.8	123.8	4	28.5
2	216.0	38.1	92.1	104.8	50.8	228.6	304.8	165.1	8	25.5
2 1/2	244.5	41.3	104.8	123.8	63.5	228.6	304.8	190.5	8	28.5
3	267.0	47.6	127.0	133.4	76.2	228.6	304.8	203.2	8	31.8
4	311.0	54.0	157.2	161.9	101.6	228.6	304.8	241.3	8	35.1
5	374.5	73.0	185.7	196.9	127.0	228.6	304.8	292.1	8	41.0
6	393.5	82.6	215.9	228.6	152.4	228.6	304.8	317.5	12	38.1
8	483.0	92.1	269.9	292.1	203.2	228.6	304.8	393.7	12	44.5
10	584.0	108.0	323.9	368.3	254.0	406.4	406.4	482.6	12	50.8
12	673.0	123.8	381.0	450.9	304.8	406.4	406.4	571.5	16	54.0
14	749.5	133.4	412.8	495.3	355.6	-	-	635.0	16	60.5
16	825.5	146.1	469.9	552.5	406.4	-	-	704.9	16	66.5
18	914.5	161.9	533.4	596.9	457.2	-	-	774.7	16	73.0
20	984.0	177.8	584.2	641.4	508.0	-	-	831.9	16	79.5
24	1168.5	203.2	692.2	762.0	609.6	-	-	990.6	16	92.0

ANSI ASME

LONG WELD NECK Class 2500



CLASS2500

NOTE : H / H1 = BUYER OPTION.

Unit : mm

Nominal Pipe Size	Outside Diameter	Thickness of Flange Min.	O.D. of Raised Face	Hub Diameter at Bevel	Diameter of Bore	Length Through Hub		Drilling		
								Diameter of Bolt Circle	Number of Holes	Diameter of Holes
	O	C	R	A	B	H	H1	BC		d
1	159.0	34.9	50.8	57.2	25.4	228.6	304.8	108.0	4	25.5
1 1/4	184.0	38.1	63.5	73.0	31.8	228.6	304.8	130.2	4	28.5
1 1/2	203.0	44.5	73.0	79.4	38.1	228.6	304.8	146.1	4	31.8
2	235.0	50.8	92.1	95.3	50.8	228.6	304.8	171.5	8	28.5
2 1/2	267.0	57.2	104.8	114.3	63.5	228.6	304.8	196.9	8	31.8
3	305.0	66.7	127.0	133.4	76.2	228.6	304.8	228.6	8	35.0
4	355.5	76.2	157.2	165.1	101.6	228.6	304.8	273.1	8	41.0
5	419.0	92.1	185.7	203.2	127.0	228.6	304.8	323.9	8	48.0
6	483.0	108.0	215.9	235.0	152.4	228.6	304.8	368.3	8	54.0
8	552.5	127.0	269.9	304.8	203.2	228.6	304.8	438.2	12	54.0
10	673.0	165.1	323.9	374.7	254.0	406.4	406.4	539.8	12	66.5
12	762.0	184.2	381.0	441.3	304.8	406.4	406.4	619.1	12	73.0

More Information, please visit our website:

[Http://antongcorp.com](http://antongcorp.com)

A large, semi-transparent watermark of the Antong Corp. logo is positioned on the left side of the page. The logo consists of a stylized 'A' inside a circular flange with four bolt holes. The text 'Antongcorp.com' is written in a curved path around the top and sides of the logo, and 'Http://antongcorp.com' is written along the bottom curve.

ANTONG FITTINGS & FLANGES

[Http://antongcorp.com](http://antongcorp.com)

Mail: sales@antongcorp.com

Tel: 008631180763668